

TOUCH-FREE DISPENSER STAND FOR HAND SANITIZER

COMMONLY USED IN THE FOLLOWING HEALTHCARE SETTINGS:

- Office Entrances
- Facility Entrances
- Nursing Stations
- High Risk Unit Entrances
- High Traffic Hallways
- Elevator Waiting Areas

FEATURES

Easy to assemble (only three main parts, assembly tools included)

Optional signage to customize the header with your message or logos (template provided below)

Sturdy metal construction

Durable coating to protect against wear & tear

Optional metal trip tray included

Low profile base to maximize stability

Lightweight and easy to carry when cleaning the facility

SC Johnson Professional Healthcare dispenser sold separately

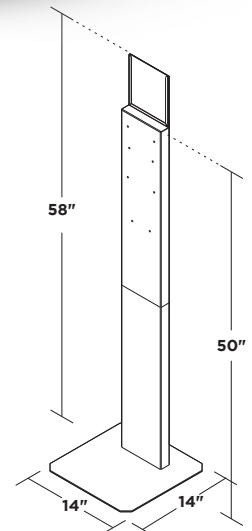
PACK SIZES

Stock Code	Size	Case Qty
TFDISPSTAND	TouchFree Silver Dispenser Stand 2.95"x19.29"x27.95" case dimensions	1
155606	Touch-Free Ultra Sanitizer Dispenser	8
101531	1 L Alcure Extra Touch-Free Cartridge	3
107231	1 L Alcure Enhanced Touch-Free Cartridge	3

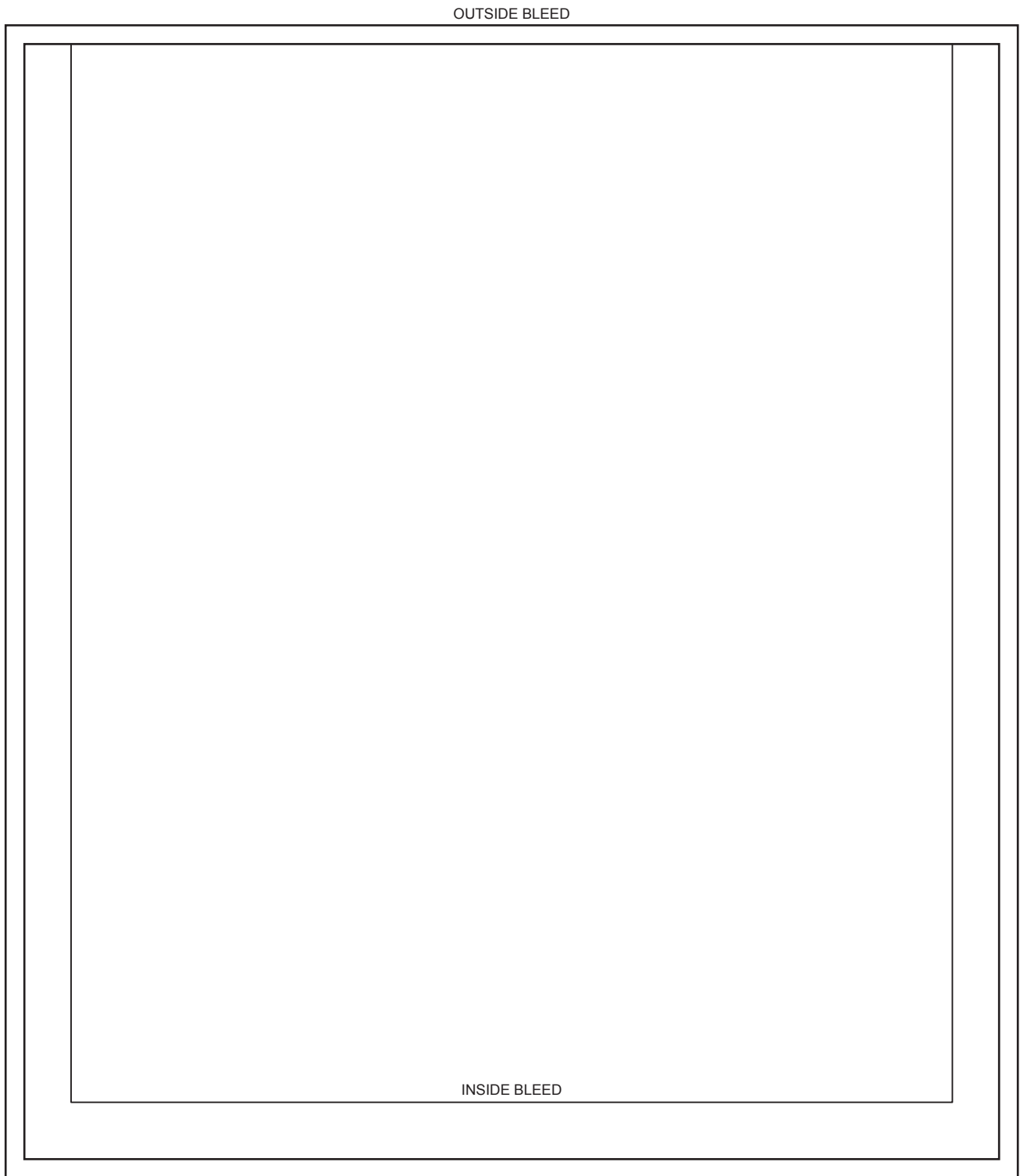


*Dispensers sold separately

TF Dispenser Stand Dimensions

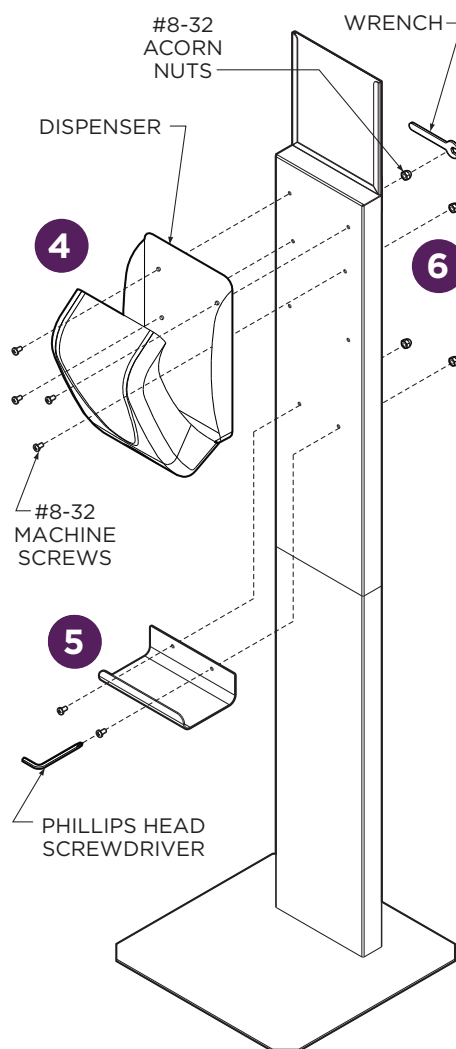
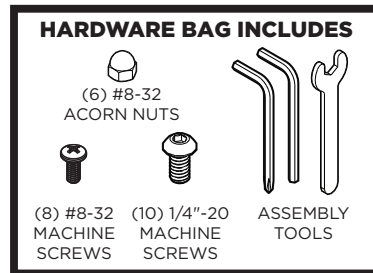
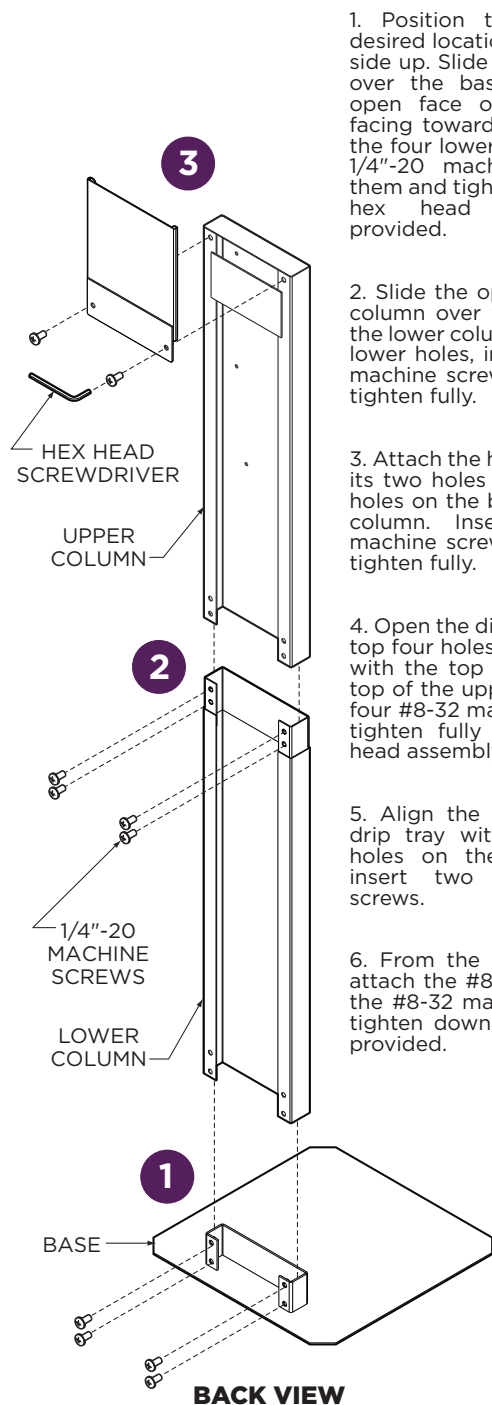


DESIGN YOUR OWN HEADER TEMPLATE



PRINT AREA :	6.750" X 7.688"
TRIM/DIE SIZE :	6.500" X 7.438"
SUBSTRATE :	0.010" GLOSS LITHO STOCK

SANITIZING STATION ASSEMBLY INSTRUCTIONS



This information and all further technical advice is based upon our present knowledge and experience. However, it implies no liability or other legal responsibility on our part, including with regard to existing third party intellectual property rights, especially patent rights. In particular, no warranty, whether express or implied, or guarantee of product properties in the legal sense is intended or implied. We reserve the right to make any changes according to technological progress or further developments. * = is a registered trademark of SC Johnson Professional or one of its subsidiaries © SC Johnson Professional

SC Johnson Professional
2815 Coliseum Centre Dr. #600
Charlotte, North Carolina, 28217
T: 866-783-0422
F: 800-367-7408
marketing.healthcareus@scj.com
scjp.com/en-us/healthcare

SC Johnson Professional™ Healthcare
PROTECTING THE PATIENT, CAREGIVER,
AND THE HEALTHCARE ENVIRONMENT