

# Washroom & Shower Manual Dispensers

## PRODUCT DESCRIPTION

Unique range of 1 litre and 2 litre sealed cartridge dispensers that meet the distinct needs of any office or public facility environment.

## WHERE TO USE

For exclusive use with SC Johnson Professional Cleanse Washroom foam soaps and shower products.

## METHOD OF USE

Large, 'easy-push' buttons dispense a controlled dose of product appropriate for the application required and empty cartridges are easily replaced in seconds.

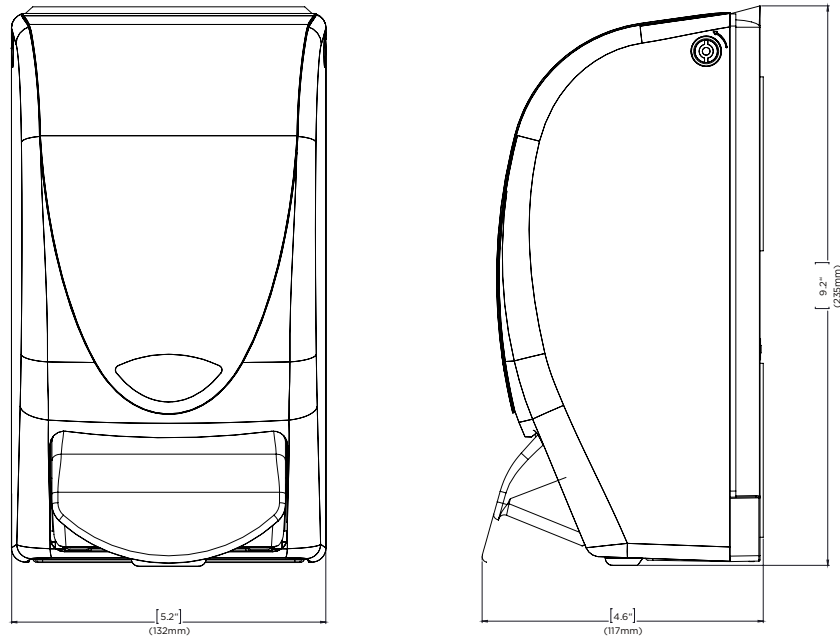


FEATURES	BENEFITS
Robust design	All SC Johnson Professional dispensers are manufactured from durable plastic components and rigorously tested for high usage environments, providing assurance of quality and longevity.
Backed by a Warranty	Manual dispensers are warranted for their lifetime. Warranty applies only in Canada and to dispensers solely using SC Johnson Professional products. Registration required. Other terms and conditions apply: <a href="http://warranty.scjp.com">warranty.scjp.com</a> .
Large Push Buttons	Minimize the operation force required to allow easy use by hand or elbow; suitable in hygiene sensitive areas.
Fixed Product Dose	Delivers the exact amount required, controlling usage and reducing waste.
Unique Locking Mechanism	Helps prevent unauthorized access, pilferage and product contamination.
Sight glass	Indicates the presence of a cartridge.
Simple Cartridge Replacement	Designed for exclusive use with SC Johnson Professional skin care system products to enable cartridges to be replaced in seconds, reducing maintenance time and costs.
Hygienic, Airless Cartridges	The ultrasonically sealed cartridge and pump mechanisms prevent the ingress of air into the cartridge during use to help prevent product contamination and ensure 'fresh' product is dispensed every time.
Minimal Waste	The air-tight cartridges are designed to collapse to minimise product waste.

# Washroom & Shower Manual Dispensers

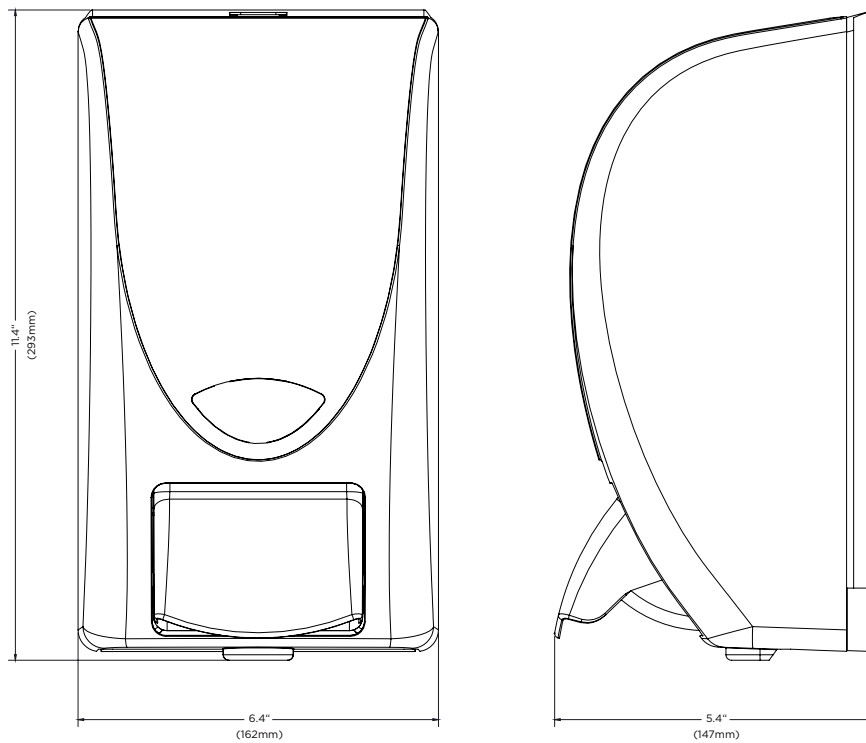
## 1 LITRE MANUAL DISPENSER

WHB1LDS  
TWH1LDS  
TBK1LDS  
TPW1LDS  
TPB1LDS  
WHY1LDS  
WRM1LDS  
SHW1LDS



## 2 LITRE MANUAL DISPENSER

BLK2LDP  
WHB2LDP  
WRM2LDP  
SHW2LDP



SCJ Professional Proline Manual dispensers are warranted for their lifetime to be free from defects in materials and workmanship under normal use or the original purchasing end customer may be eligible to receive a free replacement dispenser or part(s). Warranty is only available in Canada. Warranty applies only to dispensers installed in the end customer's facility that are exclusively using SC Johnson Professional products. Warranty does not cover dispensers purchased from unauthorized distributors. End customers must register the dispensers. Other terms and conditions apply and eligibility is subject to verification. For the full terms and conditions visit [warranty.scjp.com](http://warranty.scjp.com). Warranty provided by SC Johnson Professional CA Inc. ("SCJP"), 1 Webster Street, Brantford, ON N3T 5R1.

THIS WARRANTY IS IN LIEU OF ALL OTHER WARRANTIES, EXPRESS OR IMPLIED, INCLUDING ANY WARRANTY OF MERCHANTABILITY OR FITNESS FOR A PARTICULAR PURPOSE. Our liability shall not exceed the actual amount paid for the dispenser. We shall not be liable for any consequential, incidental, special, or punitive damages. End customers are deemed to have accepted the above warranty and limitation of liability. They cannot be changed verbally or in writing, except in a written agreement signed by SCJP.

# Washroom & Shower Manual Dispensers

## PACK SIZES

STOCK CODE	DISPENSER	COLOR	CARTRIDGE CAPACITY	CASE QTY	TO USE WITH
91128	Proline 1L Dispenser Black	Black	1 Litre	15	Universal for All 1 Litre Manual SC Johnson Professional Product Cartridges
WHB1LDS	Proline 1L Dispenser White	White	1 Litre	15	
TBK1LDS	Proline 1L Dispenser Translucent Black w/Chrome	Translucent Black w/ Chrome	1 Litre	15	
TPW1LDS	Proline 1L Dispenser Transparent White w/Chrome	Transparent White w/ Chrome	1 Litre	15	
WYH1LDS	Kid's Wash Dispenser	Green	1 Litre	15	
WRM1LDS	Cleanse Washroom	White	1 Litre	15	CLR1L, AZU1L, RFW1L, ENG1L
WRM2LDP	Cleanse Washroom	White	2 Litre	8	CLR2LT, AZU2LT, RFW2LT, ENG2LT
SHW1LDS	Cleanse Hand and Body	White	1 Litre	15	CMW1L
SHW2LDP	Cleanse Hand and Body	White	2 Litre	8	CMW2LT

SC Johnson Professional CA Inc.  
 Brantford  
 ON, N3T 5R1  
 Tel : 1-888-332-7627  
 www.scjp.com

This information and all further technical advice is based upon our present knowledge and experience. However, it implies no liability or other legal responsibility on our part, including with regard to existing third party intellectual property rights, especially patent rights. In particular, no warranty, whether express or implied, or guarantee of product properties in the legal sense is intended or implied. We reserve the right to make any changes according to technological progress or further developments.

