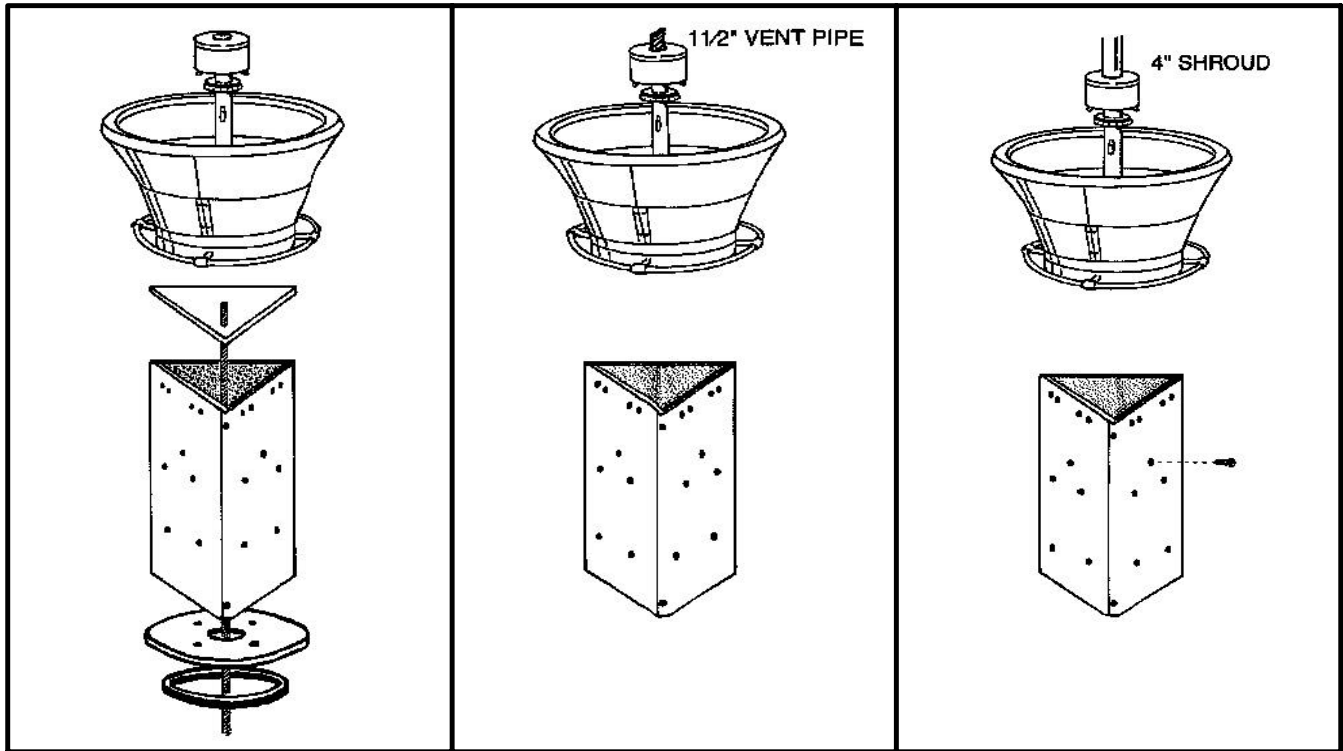


Bradley Adapter

PRODUCT DESCRIPTION
 PN28979401 SINK MOUNTING BRACKET

PN28979401 SINK MOUNTING BRACKET



FEATURES	BENEFITS
Sturdy Metal Construction	Ideal for production environments.
Made of Aluminum	Does not rust.
Versatile	Flexible Mounting options.
Multiple dispenser mounting options	fits all SC Johnson Professional® heavy duty dispenser variants.

Bradley Adapter

PN28979401 SINK MOUNTING BRACKET INSTRUCTIONS

Mounting Instructions

1. Mount soap dispenser on each section of the casing.
2. Assemble the casing.
3. Remove the locking nut on sink.
4. Remove the entire soap bowl.
5. Loosen top locking screw.
6. Remove short tie rod from threaded coupling.
7. Insert long threaded rod into coupling and tighten locking screw.
8. Place rubber gasket on the spray head.
9. Slide round aluminum plate down the threaded rod until it seats against the gasket. Center the gasket and aluminum plate on the spray head. The positioning pins should be pointed upwards.
10. Position the casing onto the round aluminum plate, with the 4 positioning pins inside of the casing.

NOTE:

If the positioning pins do not fit properly into the casing, rotate the casing 120°, then seat again.

11. Slide the triangular aluminum plate down the threaded rod until it seats squarely against the casing.
12. Screw the locking nut back onto threaded rod, securing tightly to hold the casing in place on the water spray head.

Mounting Instructions

1. Mount the soap dispenser on each section of the casing.
2. Fit the first part of casing to the vent pipe with the "U" bolts, (**Do not fully tighten**).
3. Fit the second and third sections of the casing to the first part using the screws and nuts provided.
4. Set the casing to the required height on the vent pipe and tighten the "U" bolts.

Mounting Instructions

1. Mount the soap dispenser on each section of the casing.
2. Fit the casing together around the 4" aluminum shroud (pipe), using the screws and nuts provided.
3. Using a short tapping screw, lock the casing onto the shroud by screwing into the shroud through the center hole on each section of the casing.

Instruction Sheet. Revision 0. July 11, 2007

PACK SIZES

STOCK CODE	DISPENSER	COLOR	CASE QTY	TO USE WITH
PN28979401	Bradley Adapter	Metal	1	Any 2L, 3.25L or 4L dispenser

SC Johnson Professional
 2815 Coliseum Centre Dr. #600
 Charlotte, North Carolina, 28217
 Telephone: 800 248 7190
 www.scjp.com

This information and all further technical advice is based upon our present knowledge and experience. However, it implies no liability or other legal responsibility on our part, including with regard to existing third party intellectual property rights, especially patent rights. In particular, no warranty, whether express or implied, or guarantee of product properties in the legal sense is intended or implied. We reserve the right to make any changes according to technological progress or further developments.

SC Johnson
PROFESSIONAL
 A Family Company™